



株式会社 大林製作所
OBAYASHI MFG.CO.,LTD.

Powerful
Easy
Innovative
Heavy duty
Portable X-ray

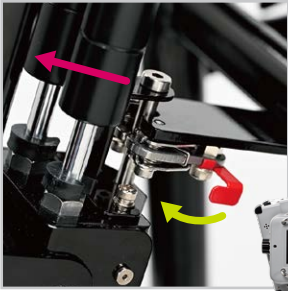
*F*ORTE

MADE IN JAPAN

http://www.obayashi-mfg.co.jp/index_E.htm



Easy locking
The arm can be folded and locked easily



X-ray switch guide

PC Bag (option)
for storing your laptop



The leg can be folded
for smaller footprint and easy loading



FPD Bag for storing your FPD
(or CR cassette)



Stable front wheel brakes

Foldable design
for easy transportation



Bag for storing your utensils

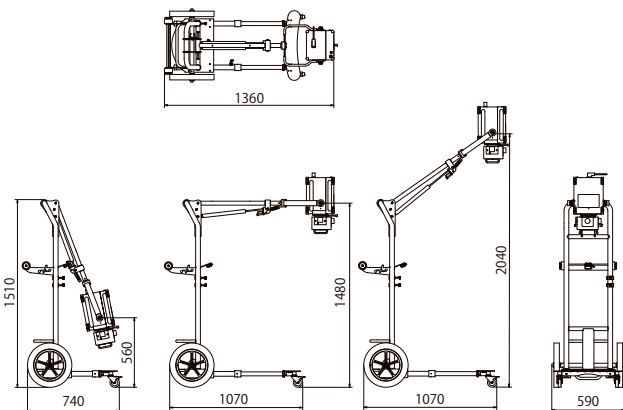


Power cable guide



Smooth movement

Dimensions :mm



X-ray generator specification

Output	6kW
kV range	40-120kVFC
mA range	40-100mA
Focal spot value	1.2
APR	10 settings
Power	230V, single phase, 50-60Hz
Weight	19.5kg (total weight: 60kg)
X-ray highest point	2044mm
X-ray lowest point	559mm
Width	589mm

Spec and design are subject to change without prior notification.
Stand approval number: 11B2X00011000066
Generator approval number: Pending

OBUYASHI MFG.CO.,LTD.

FACTORY 15-15, Yahei 2-chome Kawaguchi-City,Saitama 332-0002 Japan
Phone +81-48-222-3800 Fax +81-48-222-4074
HEAD OFFICE 7-10, Yushima 1-chome Bunkyo-ku,Tokyo 113-0034 Japan

Represented by: