

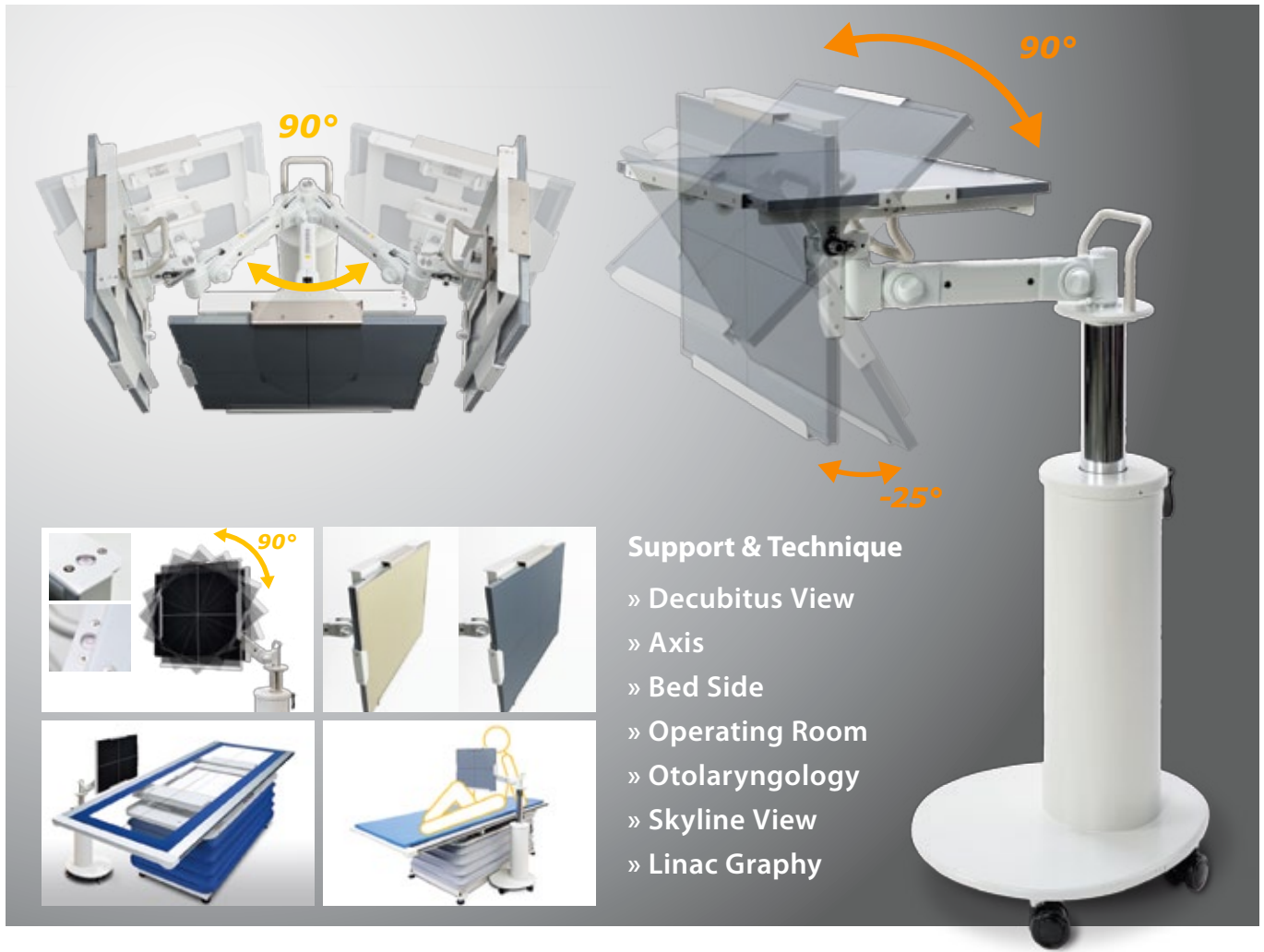


Satellite

Cassette-sized Detector Holding Stand

Have you felt FPD panel is too heavy and scary when patient hold their hand?
Obayashi Satellite will solve this problems!

All the angle and an arrangement are possible 360 degrees by the unique joint lock system and a Up&Down function.

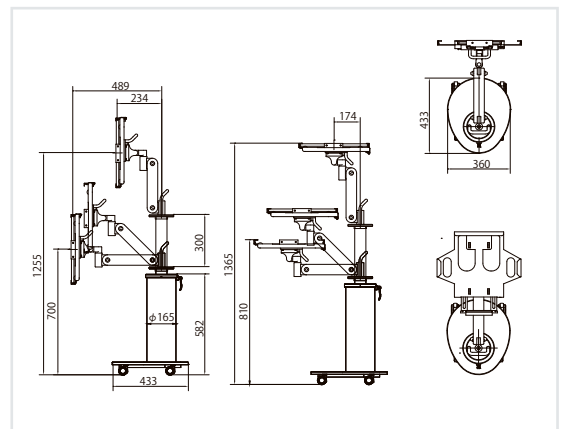


Support & Technique

- » Decubitus View
- » Axis
- » Bed Side
- » Operating Room
- » Otolaryngology
- » Skyline View
- » Linac Graphy

Standard specifications

Upper limit (Center of the FPD holding unit)	1,255mm
Lower limit (Center of the FPD holding unit)	700mm
Pipe stroke	300mm
Tilt angle of FPD holding unit	-25° ~ +90°
Rotation of the FPD holding unit	+90°
Horizontal rotation (FPD holding unit)	180°
Supporting detector size	14"×17",17"×17"
Movement	Caster
Weight	50kg



The specifications and exterior may change without notice due to updates.

Made in Nippon



工場 〒332-0002 埼玉県川口市弥平2丁目15-15 TEL 048-222-3800 FAX 048-222-4074
 本社 〒113-0034 東京都文京区湯島1丁目7-10

OBUYASHI MFG.CO.,LTD.

FACTORY 15-15, Yahei 2-chome Kawaguchi-City,Saitama 332-0002 Japan
 Phone +81-48-222-3800 Fax +81-48-222-4074

HEAD OFFICE 7-10, Yushima 1-chome Bunkyo-ku,Tokyo 113-0034 Japan

Represented by: