

# SLD-3

- The tabletop floats in the longitudinal and lateral directions.

The range of floating movement is wide in both the longitudinal and lateral directions.

- An off-lock system is employed for tabletop locking.

An off-lock type tabletop locking system is employed for both safety and operability.

- Image receptors that slide over a broad range.

The image receptor slides over a broad range allowing radiography over a wide range without changing the position of the patient.

*A tabletop with a wide range of movement proves its high quality*

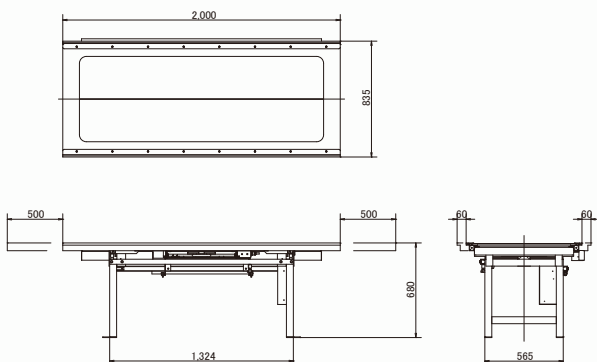
*There is a reason it has been a long-term seller.*

- "Oscillating type: 8:1 34line/AI 100cm" is a standard.

A fixed type can be chosen at the time of an order.

- Correspondence with cassette DR.

## Dimensions :mm



## Options Select for your specific requirements

- Side cassette holders (Fixed type)



※ Image photo

- Safety grip



※ Image photo

- Grids
- Carbon tabletop
- Vinyl leather mat
- Compression band
- Irrigator hanger
- One touch Caster
- Caster

## Standard specifications

	Oscillating	fixed		Oscillating	fixed
	Tabletop frame dimensions (W x L)	835mm x 2,000mm		Slide range of the image receptor	About 300mm
Tabletop material	Acrylics (10mm)		Cassette DR	Correspondence	
Height	680mm		Film size	8 x 10in, 10 x 8in ~ 14 x 17in, 17 x 14in	
Floating (longitudinal)	1,000mm (±500mm)		Photo timer	Compatible with a variety of types.※	
Floating (latitudinal)	120mm (±60mm)		Setting	Fixation	
tabletop locking system	Off-lock		Required power	AC100V 0.3KVA	
tabletop unlock operation	Foot switch		Weight	120kg	

※There can be limitations based on the specifications of each company. The specifications and exterior may change without notice due to updates.

 株式会社 大林製作所

工場 〒332-0002 埼玉県川口市弥平2丁目15-15 TEL 048-222-3800 FAX 048-222-4074

本社 〒113-0034 東京都文京区湯島1丁目7-10

**OBAYASHI MFG.CO.,LTD.**

FACTORY 15-15, Yahei 2-chome Kawaguchi-City,Saitama 332-0002 Japan  
Phone +81-48-222-3800 Fax +81-48-222-4074

HEAD OFFICE 7-10, Yushima 1-chome Bunkyo-ku,Tokyo 113-0034 Japan

Represented by: